

# Primer Pump and Prescreen Kit

RK22933 (12 volt) & RK23087 (24 volt) Primer Pump Kits  
 RK22934 Prescreen Kit (12 or 24 volt)

Instruction Part Number 24001 Rev A

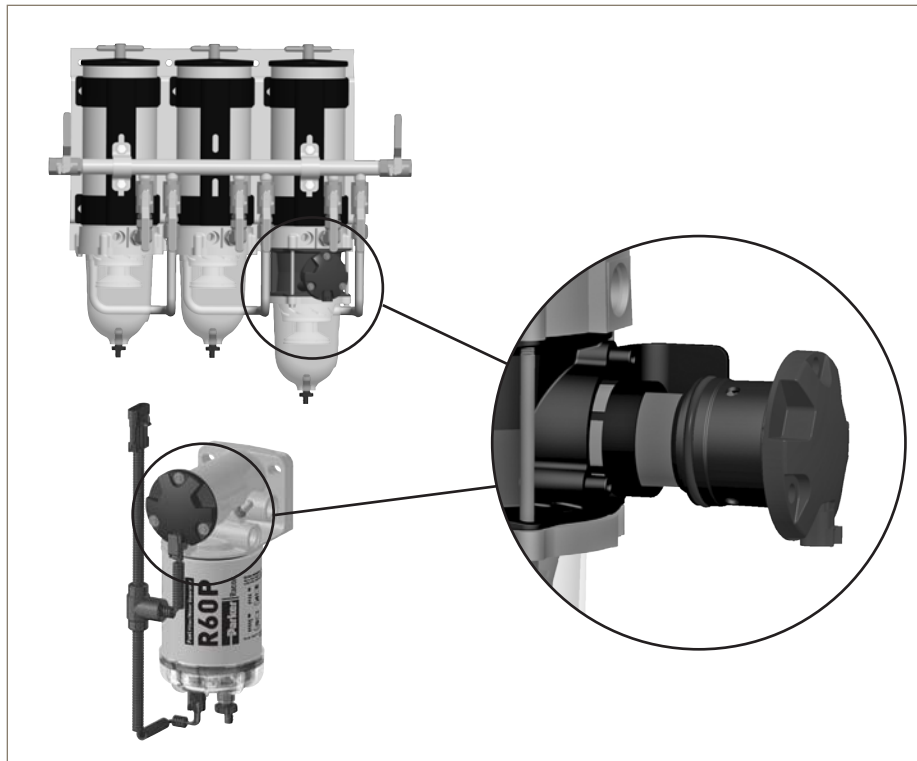


## Installation Instructions:

*Note: These kits service multiple filter assemblies.*

Completely drain assembly. Tear-down primer pump in numerical order shown (1-8). Rebuild assembly in reverse order (8-1), substituting new parts for old. On rebuild, lubricate all o-rings with motor oil or clean diesel fuel and tighten screws to 50 inch lbs (maximum). *Note: make sure inside face of cover is flush with pump body and all flat surfaces are free of scratches and debris.*

Prescreen element can be cleaned and inspected before replacement. Clean in solvent bath with a soft brush. Flush with diesel fuel. Gently blow dry with air, if necessary.



## Contact Information:

Parker Hannifin Corporation  
**Racor Division**  
 P.O. Box 3208  
 3400 Finch Road  
 Modesto, CA 95353

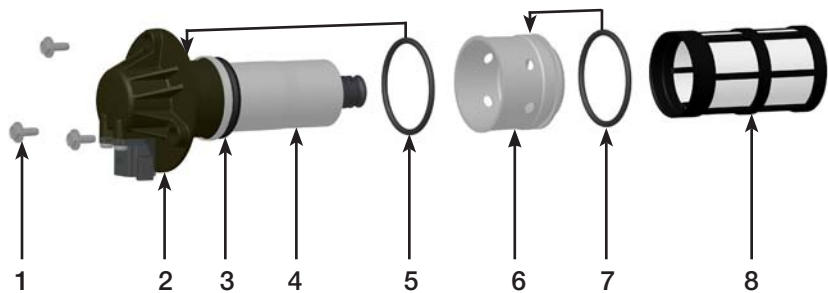
phone 800 344 3286  
 209 521 7860  
 fax 209 529 3278  
 racor@parker.com

www.parker.com/racor  
 www.parker.com/racorproducts

Refer to your specific filter assembly installation instructions, prime the fuel system, and check for leaks. Correct as necessary with engine off.

RK22933 and RK23087 Primer Pump Kits include all parts shown.

RK22934 Prescreen Kit includes numbers 3, 5, 7 and 8.



ENGINEERING YOUR SUCCESS.

# Limited Warranties Statement

All products manufactured or distributed by Racor are subject to the following, and only the following, LIMITED EXPRESS WARRANTIES, and no others: For a period of one (1) year from and after the date of purchase of a new Racor product, Racor warrants and guarantees only to the original purchaser-user that such a product shall be free from defects of materials and workmanship in the manufacturing process. The warranty period for pumps and motors is specifically limited to ninety (90) days from date of purchase. A product claimed to be defective must be returned to the place of purchase. Racor, at its sole option, shall replace the defective product with a comparable new product or repair the defective product. This express warranty shall be inapplicable to any product not properly installed and properly used by the purchaser-user or to any product damaged or impaired by external forces.

THIS IS THE EXTENT OF WARRANTIES AVAILABLE ON THIS PRODUCT. RACOR SHALL HAVE NO LIABILITY WHATSOEVER FOR CONSEQUENTIAL DAMAGES

FLOWING FROM THE USE OF ANY DEFECTIVE PRODUCT OR BY REASON OF THE FAILURE OF ANY PRODUCT. RACOR SPECIFICALLY DISAVOWS ALL OTHER WARRANTIES, EXPRESS OR IMPLIED INCLUDING, WITHOUT LIMITATION, ALL WARRANTIES OF FITNESS FOR A PARTICULAR PURPOSE (EXCEPT FOR THOSE WHICH APPLY TO PRODUCT OR PART THEREOF THAT IS USED OR BOUGHT FOR USE PRIMARILY FOR PERSONAL, FAMILY, OR HOUSEHOLD PURPOSES), WARRANTIES OF DESCRIPTION, WARRANTIES OF MERCHANTABILITY, TRADE USAGE OR WARRANTIES OR TRADE USAGE.

## Warning

Failure or improper selection or improper use of the products and/or systems described herein or related items can cause death, personal injury and property damage. This document and other information from Parker Hannifin Corporation, its subsidiaries and authorized distributors provide product

and/or system options for further investigation by users having technical expertise. It is important that you analyze all aspects of your application and review the information concerning the product or system in the current product catalog. Due to the variety of operating conditions and applications for these products or systems, the user, through its own analysis and testing, is solely responsible for making the final selection of the products and systems and assuring that all performance, safety and warning requirements of the applications are met. The products described herein, including with limitation, product features, specifications, designs, availability and pricing, are subject to change by Parker Hannifin Corporation and its subsidiaries at any time without notice.

The following statement is required pursuant to proposition 65, applicable in the State of California: 'This product may contain a chemical known to the State of California to cause cancer or reproductive toxicity'